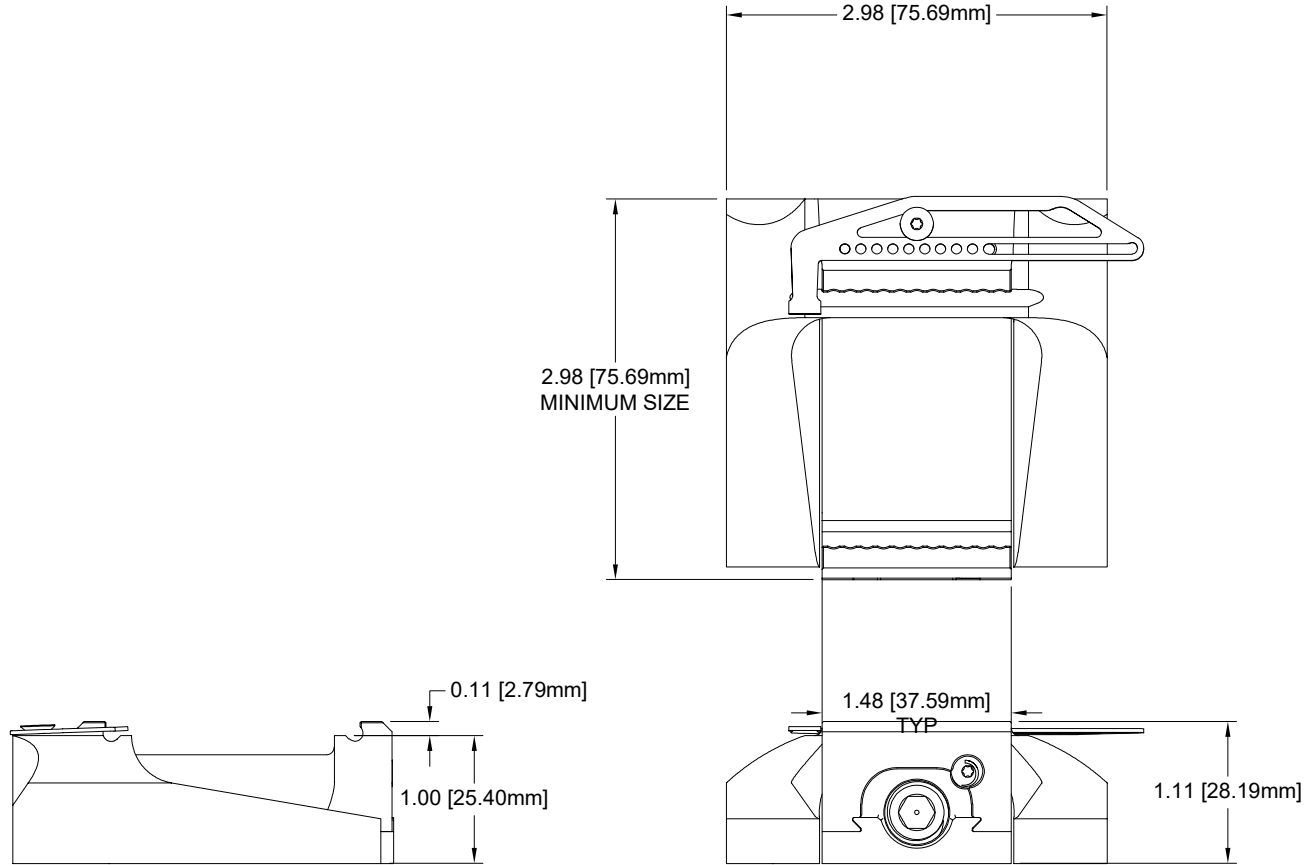


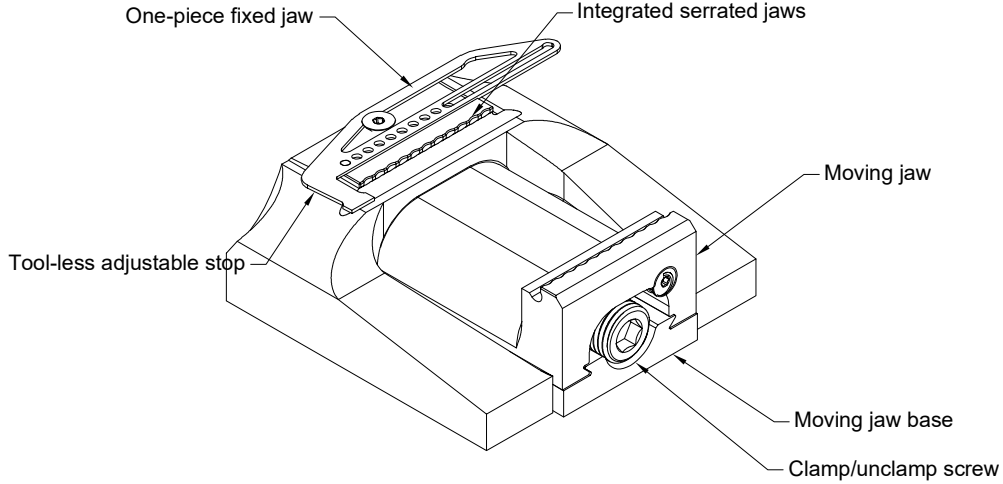
Rev	Revision Description
P1	Prior to initial release



Focus Mfg. Inc 122 - 418 E Kent Ave, S T: 604-322-3114 E: info@focusmfginc.com	Title: Focus Clamp - Overall Dimensions		
	Units: mm	Drawing #: F03365	Sheet: 1/2
Approved:	Size: B	Material: Per part	
Checked:	Scale: Not to scale	Finish: Per part	
Drawn: Andrew Chang	2023-06-27		ASME Y14.100 - 1998 - Third angle projection
			Tol. unless otherwise stated: x +/- 1.0, x.x +/- 0.3, x.xx +/- 0.15



Rev	Revision Description
P1	Prior to initial release



Focus Mfg. Inc 122 - 418 E Kent Ave, S T: 604-322-3114 E: info@focusmfginc.com		Title: Focus Clamp - Overall Dimensions		
		Units: mm	Drawing #: F03365	Sheet: 2/2
Approved:		Size: B	Material: Per part	
Checked:		Scale: Not to scale	Finish: Per part	
Drawn: Andrew Chang		2023-06-27		ASME Y14.100 - 1998 - Third angle projection
Tol. unless otherwise stated: x +/- 1.0, x.x +/- 0.3, x.xx +/- 0.15				